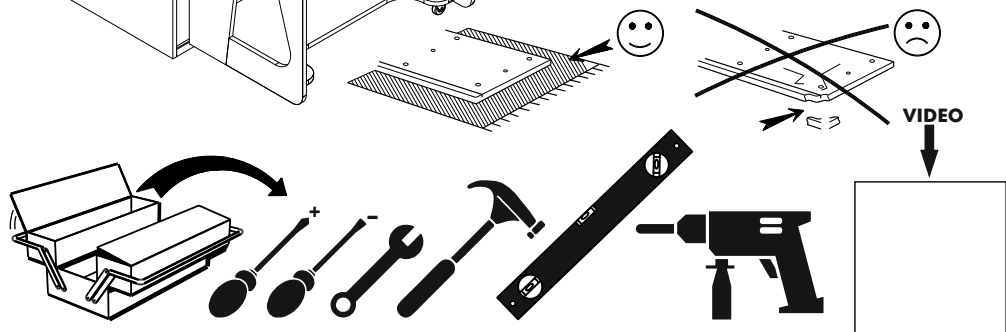
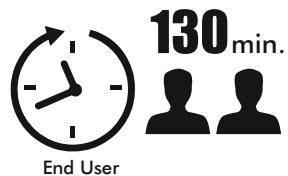
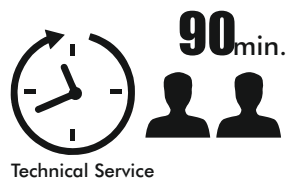
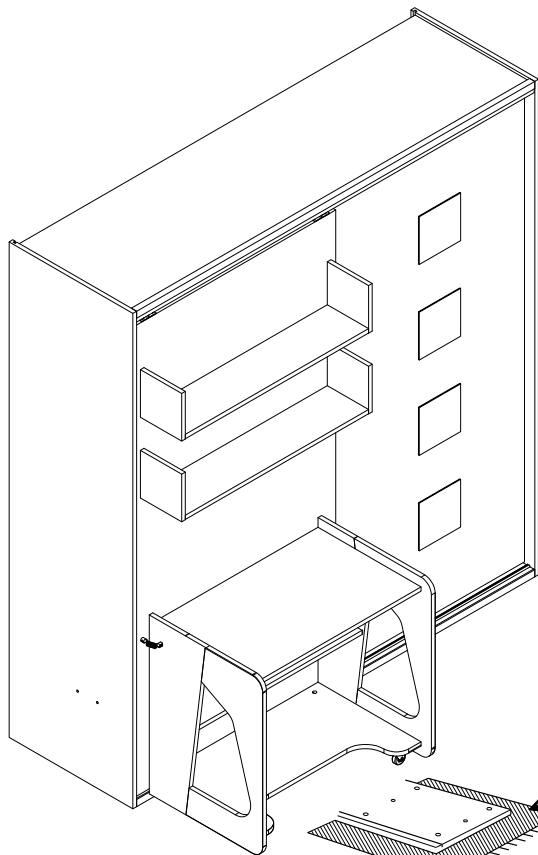




MULTIMO

113 STUDIO 5 LEFT

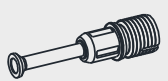


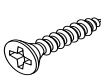
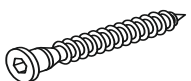
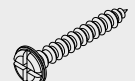
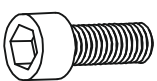
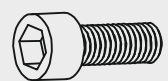

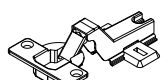

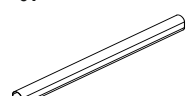


link

Assembly Instructions

Track Title	(inch)			(mm)				
	Piece	Thickness	Length	Width	Piece	Thick	Height	Most
A		1,18	81,89	23,62	2	30	2080	600
B		0,71	75,98	23,62	1	18	1930	600
C		0,71	75,98	22,83	1	18	1930	580
D		0,71	79,53	19,29	1	18	2020	490
E		0,71	37,64	18,50	3	18	956	470
F		0,71	37,64	7,48	2	18	956	190
G		0,71	7,87	18,31	2	18	200	465
H		0,71	13,78	18,50	2	18	350	470
I		0,71	37,64	5,12	2	18	956	130
K		0,71	9,84	4,92	1	18	250	125
L		0,71	11,42	18,66	2	18	290	474
M		0,71	31,50	20,47	1	18	800	520
N		0,71	31,50	13,78	1	18	800	350
O		0,71	31,50	7,68	1	18	800	195
P		0,71	31,50	20,47	1	18	800	520
R		0,71	29,53	10,59	2	18	750	269
S		0,71	29,53	14,76	2	18	750	375
T		0,71	77,87	38,19	2	18	1978	970
U		0,71	32,28	7,68	2	18	820	195
Y		0,71	7,87	7,87	4	18	200	200
Z		6,61	32,13	16,54	2	168	816	420
X		0,31	81,06	19,13	4	8	2059	486

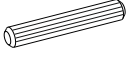
Accessories List

MXN 02  70 / piece	MNG - 01  70 / piece	KVL 01  84 / piece	VD - 03 (3,5x18) mm  20 / piece
VDA - 01 (6,5x50) mm  6 / piece	VD - 02 (3,5x25) mm  46 / piece	IM - 04 (6x20) mm  2 / piece	IM - 01 (6x30) mm  2 / piece
OT 01  4 / piece	TS - 03  4 / piece	AF - 02  2 / piece	BO - 01  1 / piece

STEP 1

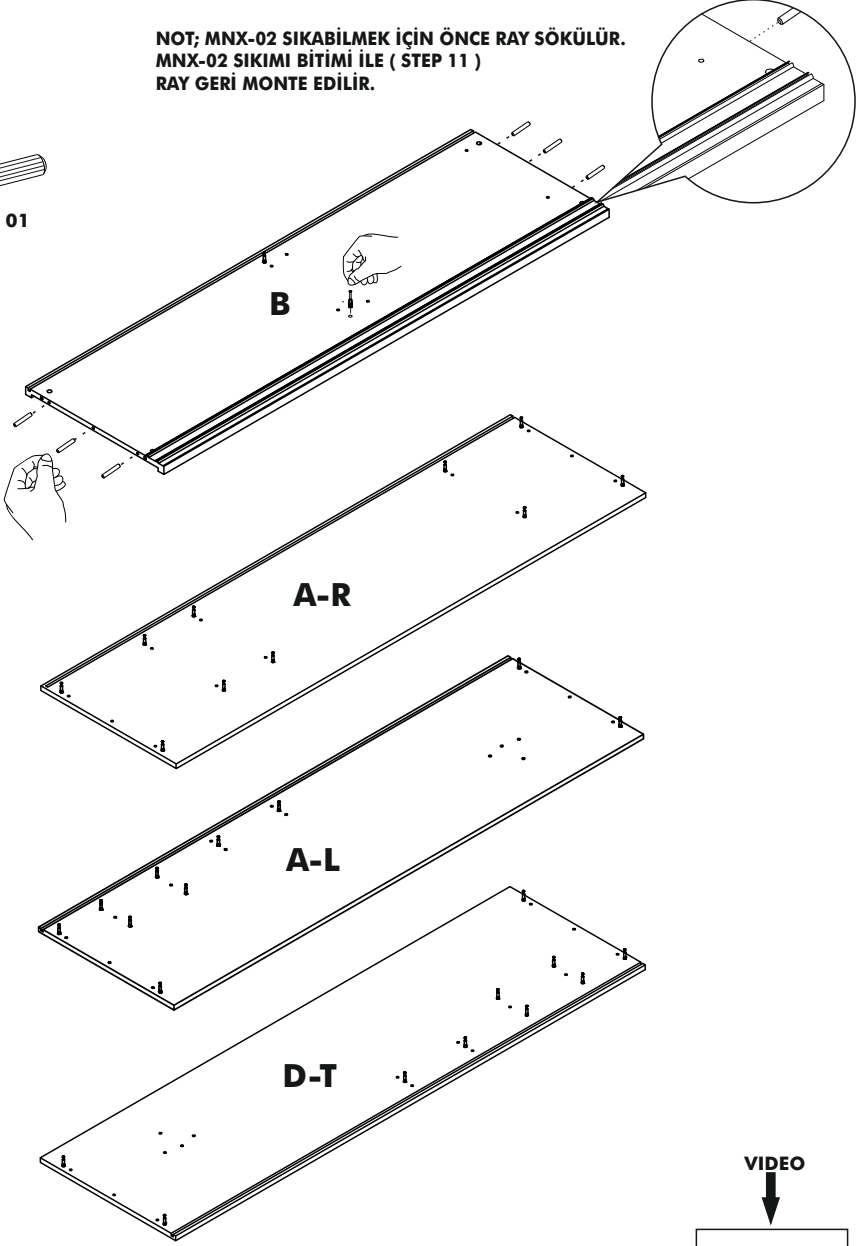


MNX - 02



KVL 01

**NOT; MNX-02 SIKABILMEK İÇİN ÖNCE RAY SÖKÜLÜR.
MNX-02 SIKIMI BİTİMİ İLE (STEP 11)
RAY GERİ MONTE EDİLİR.**

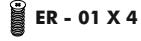
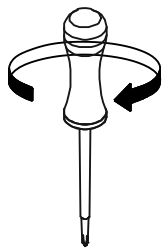
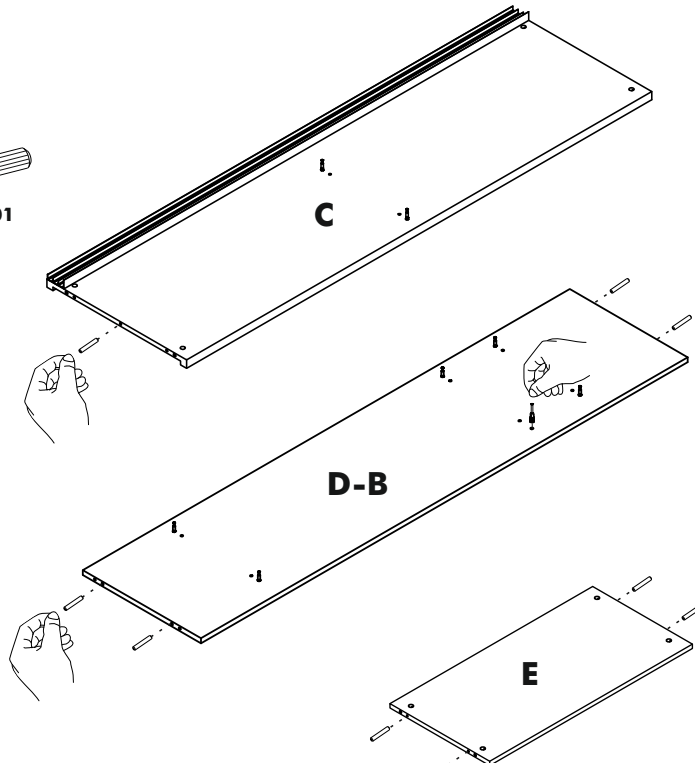
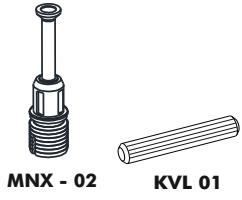


VIDEO

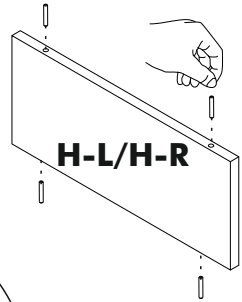
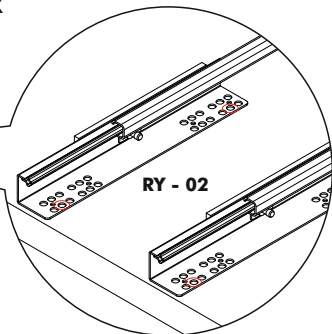
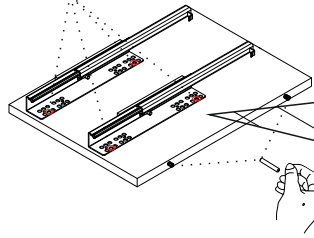


link

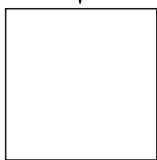
STEP 2



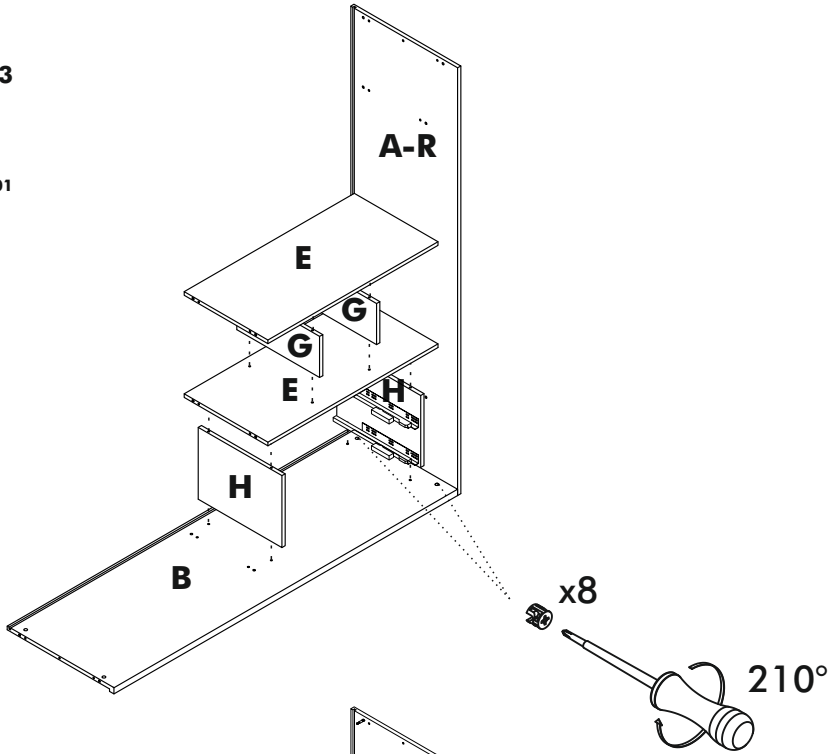
G-L/G R



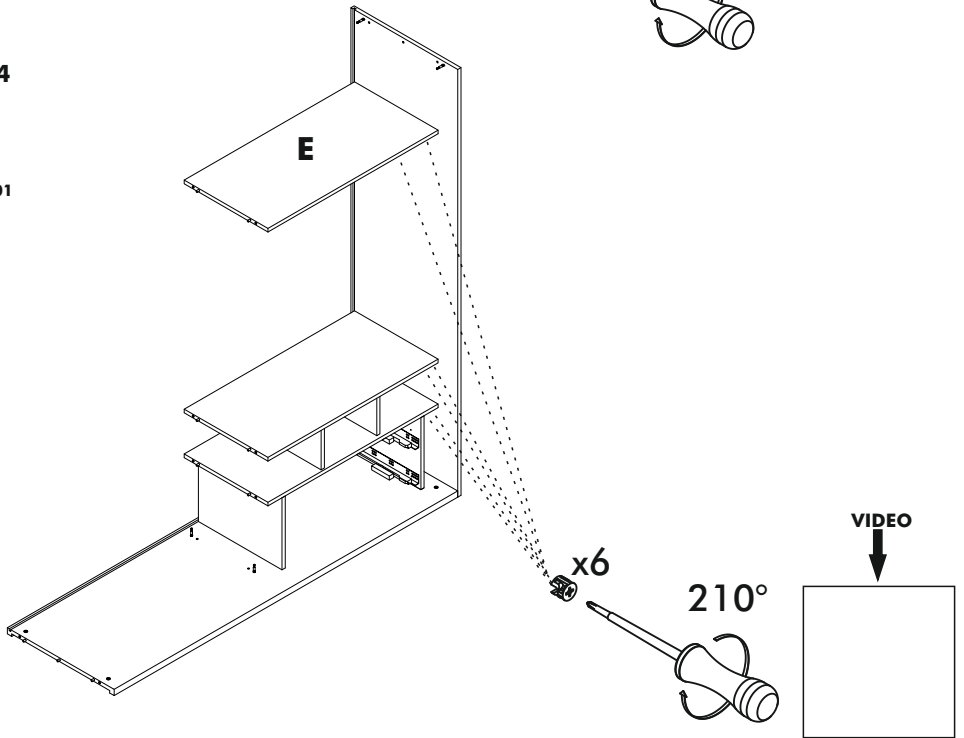
VIDEO



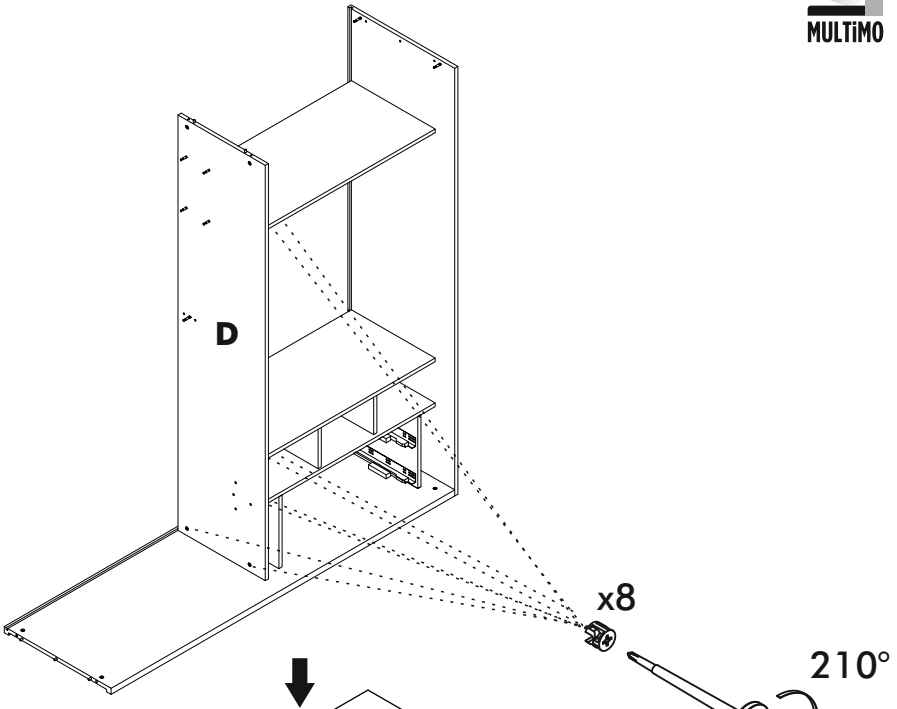
STEP 3



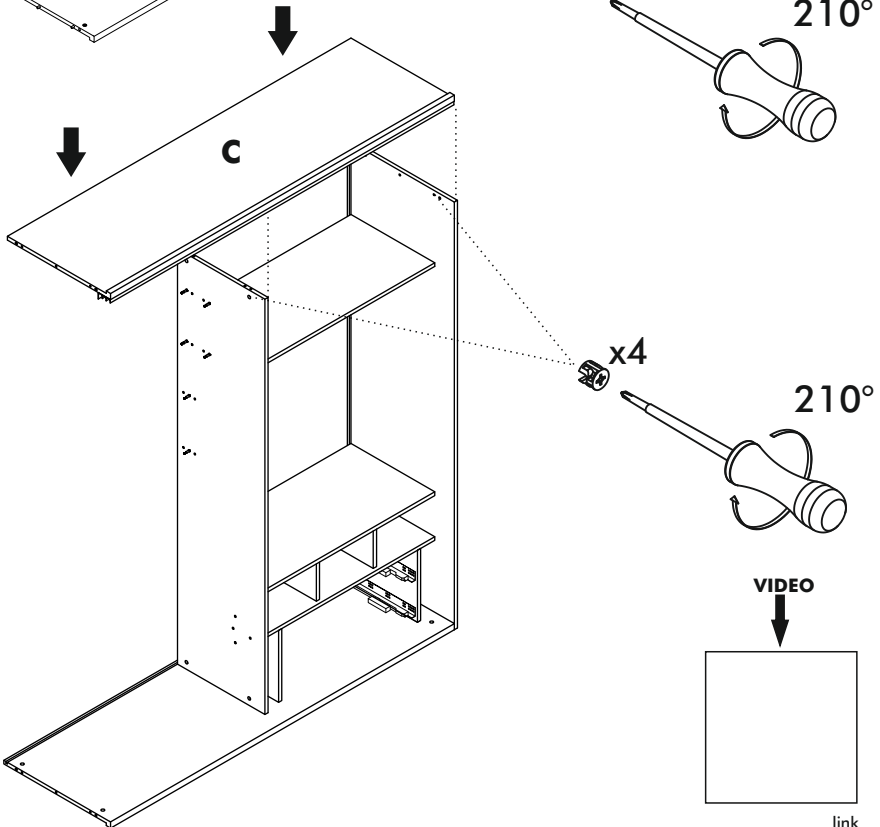
STEP 4



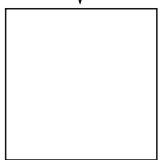
STEP 5



STEP 6

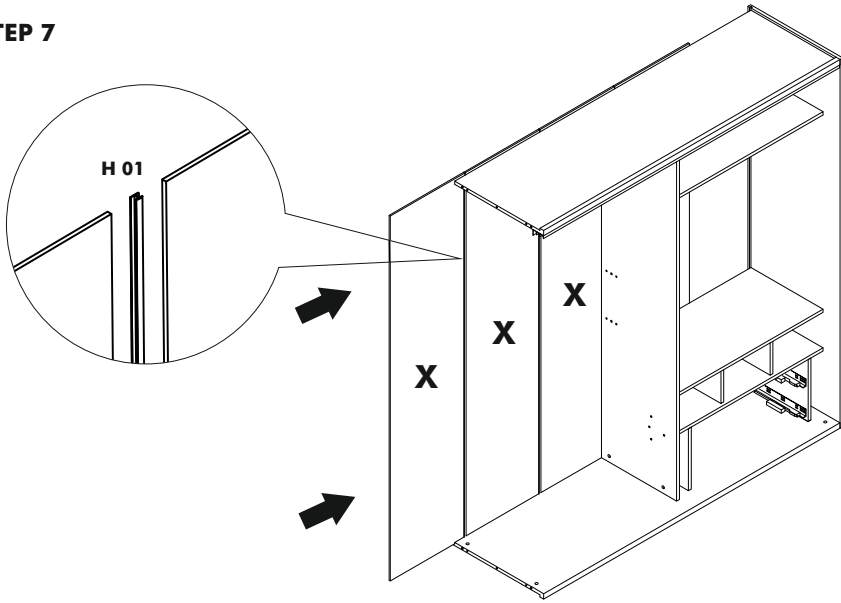


VIDEO

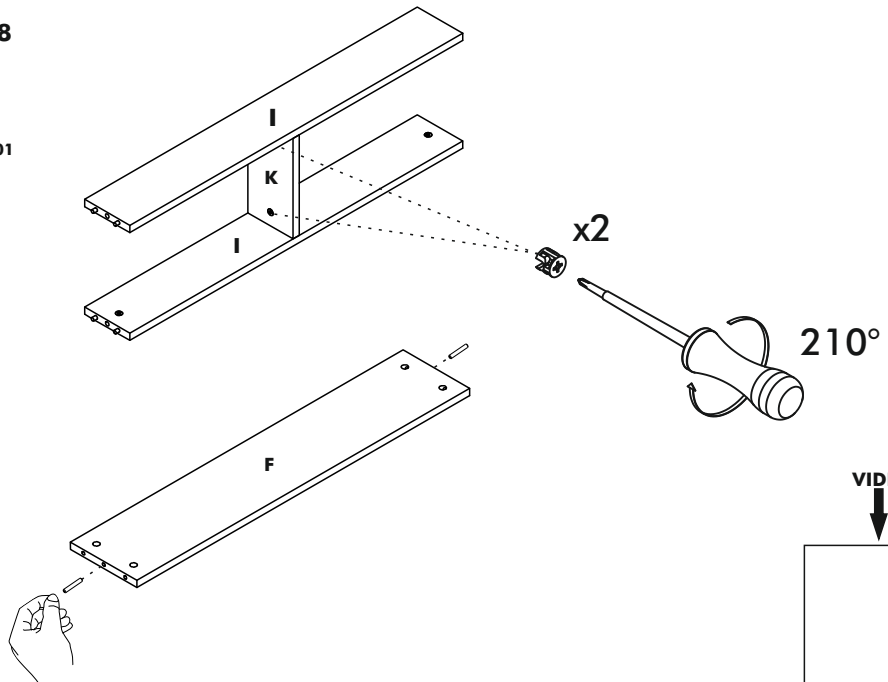


link

STEP 7



STEP 8



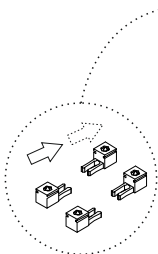
STEP 9



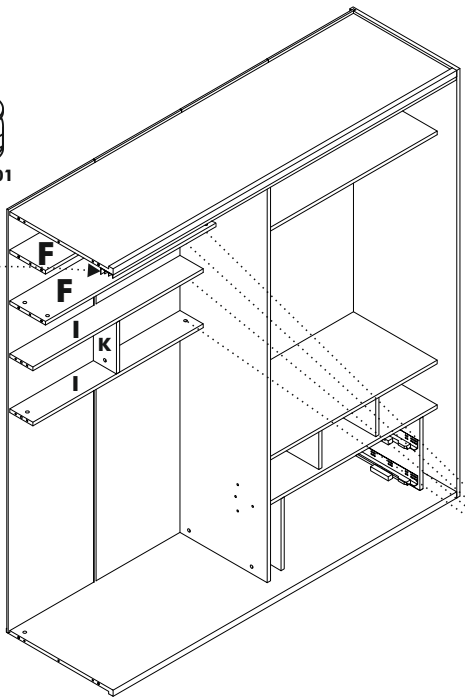
SPT - 01



MNG - 01

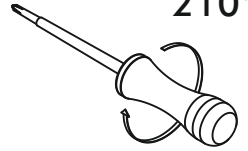


SPT-01 X 4

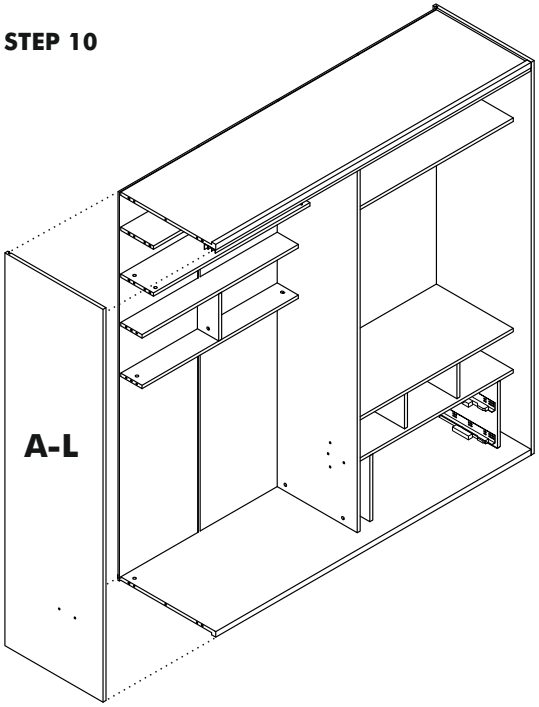


x6

210°

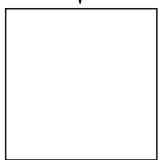


STEP 10



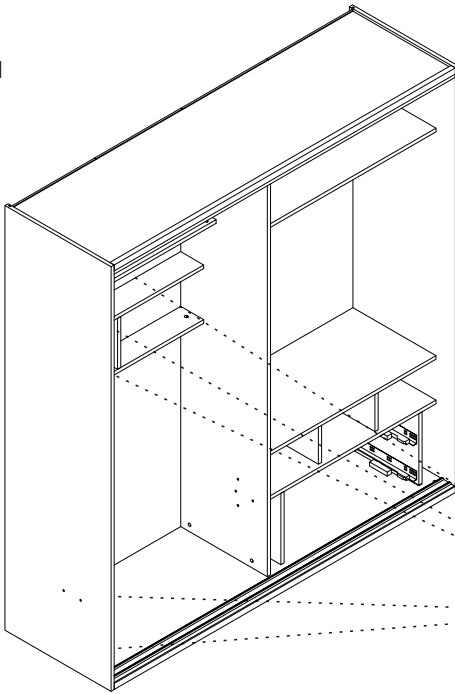
A-L

VIDEO

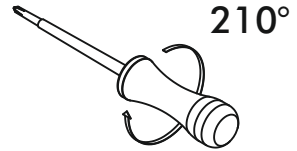


link

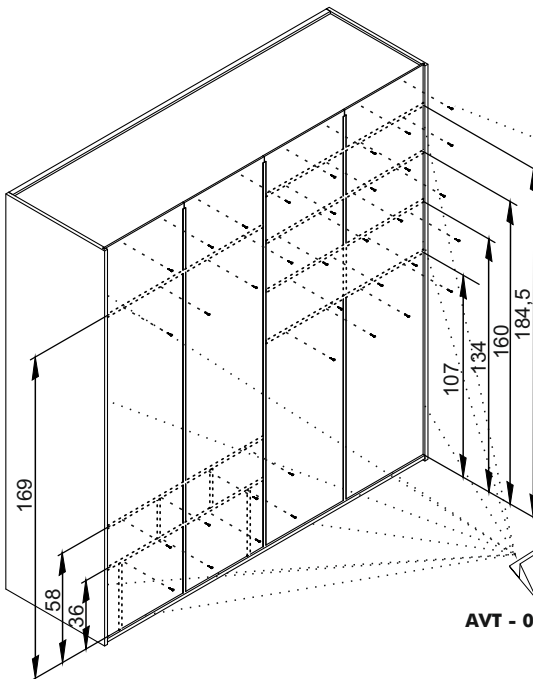
STEP 11



x10



STEP 12



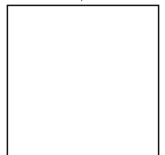
VD - 02 x 36



AVT - 01 x 10

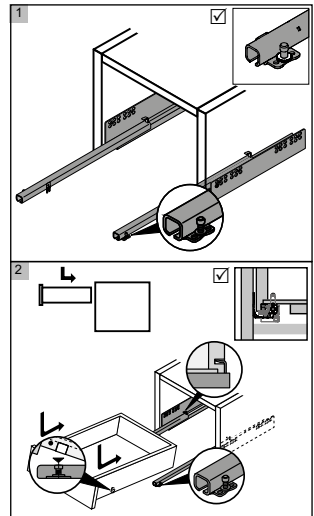
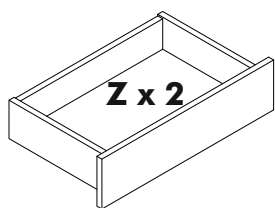
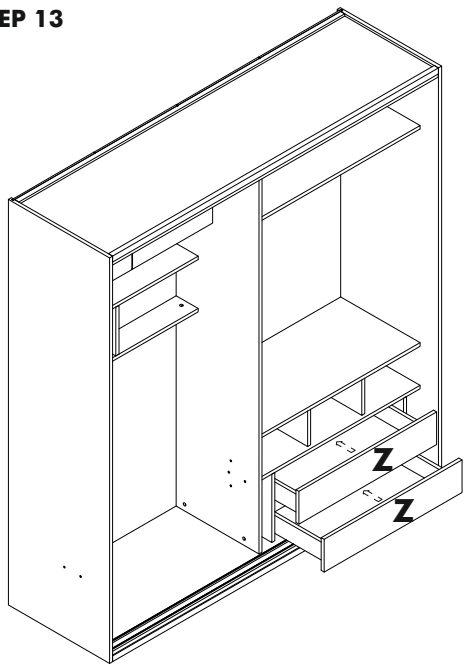
VD - 02 x 10

VIDEO

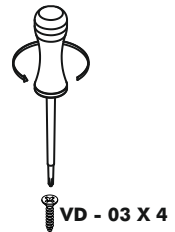
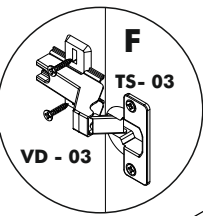
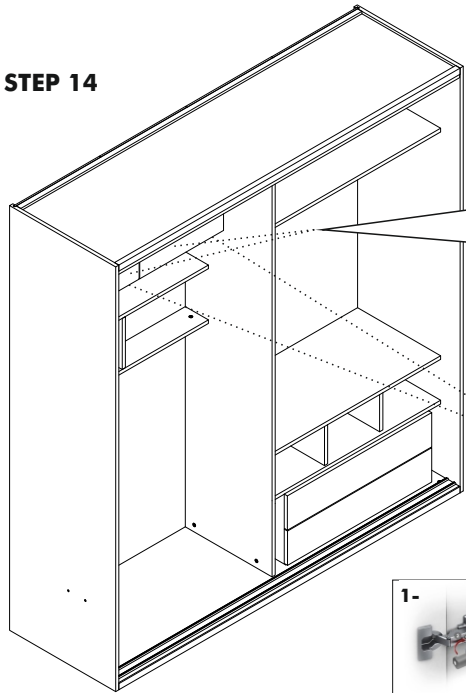


link

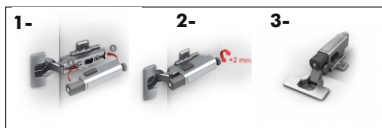
STEP 13



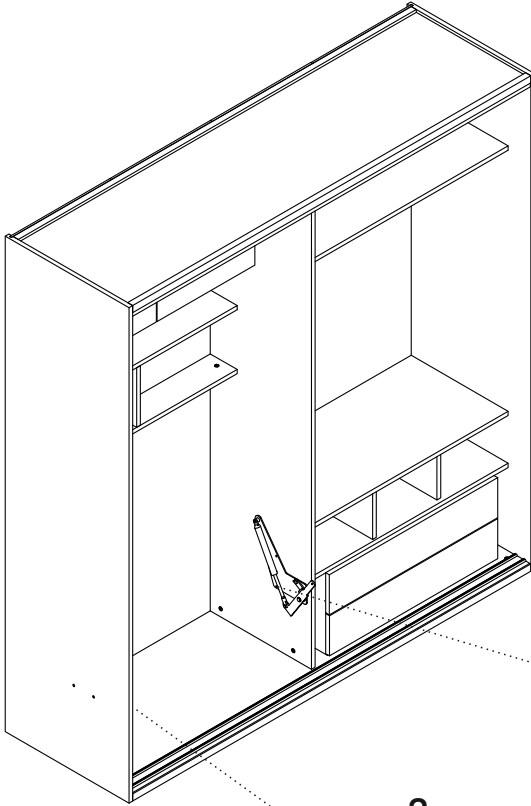
STEP 14



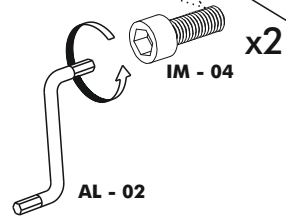
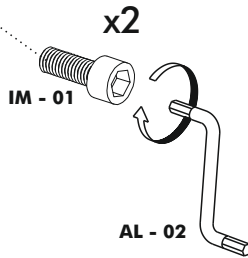
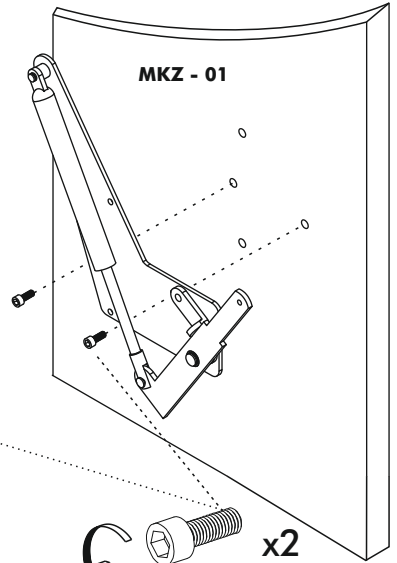
VIDEO



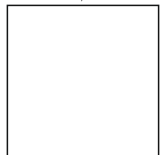
STEP 15



CAUTION
DO NOT UNLOCK BEFORE INSTALL

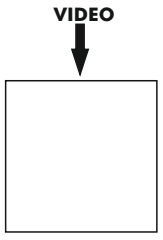
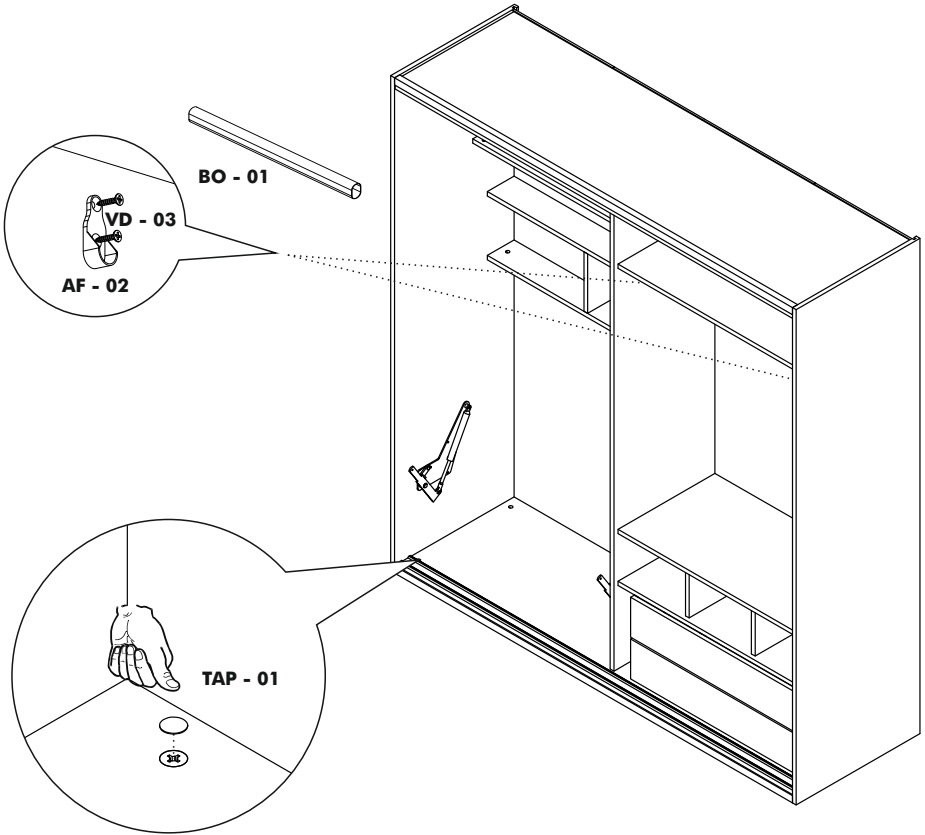


VIDEO

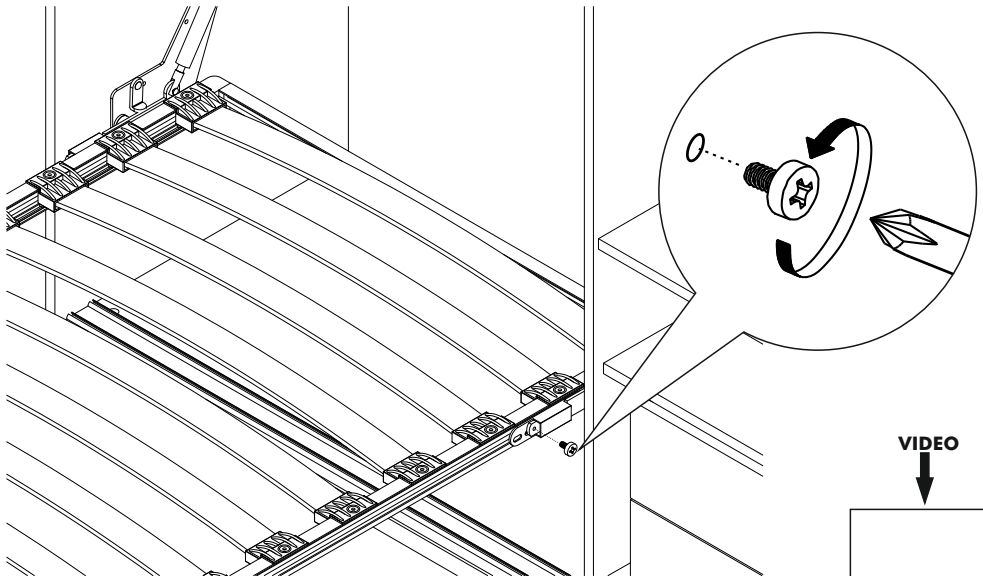
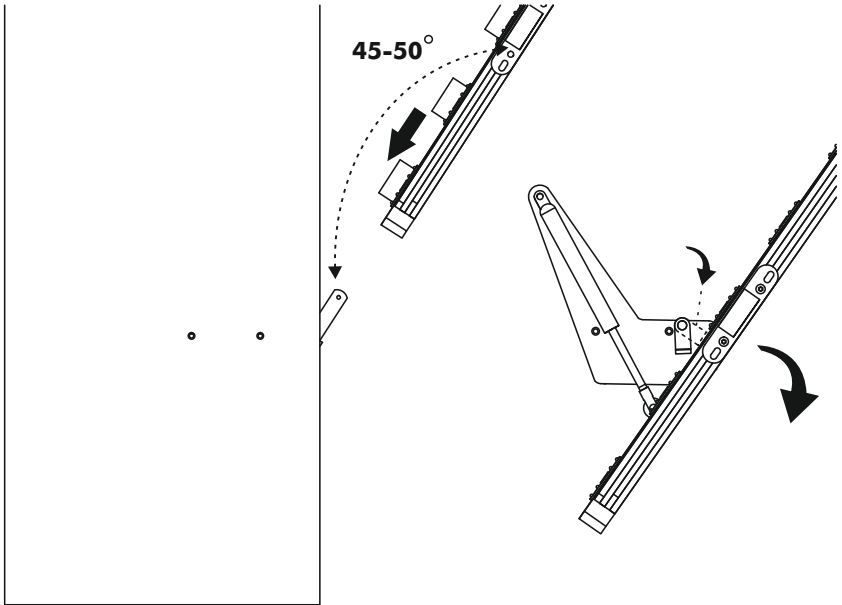


link

STEP 16



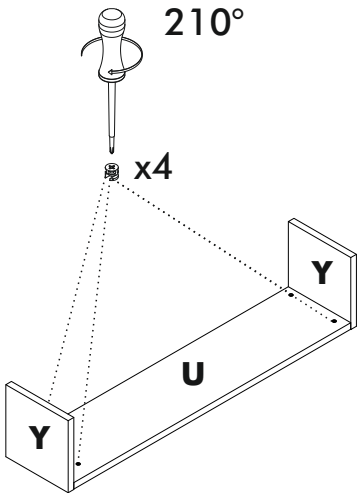
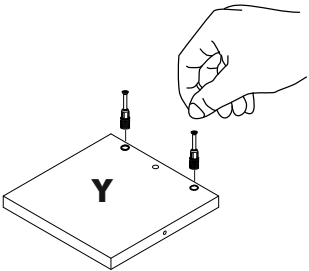
STEP 17



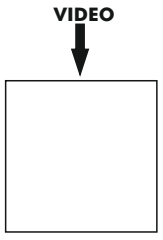
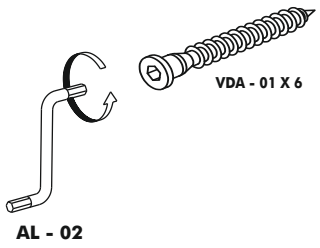
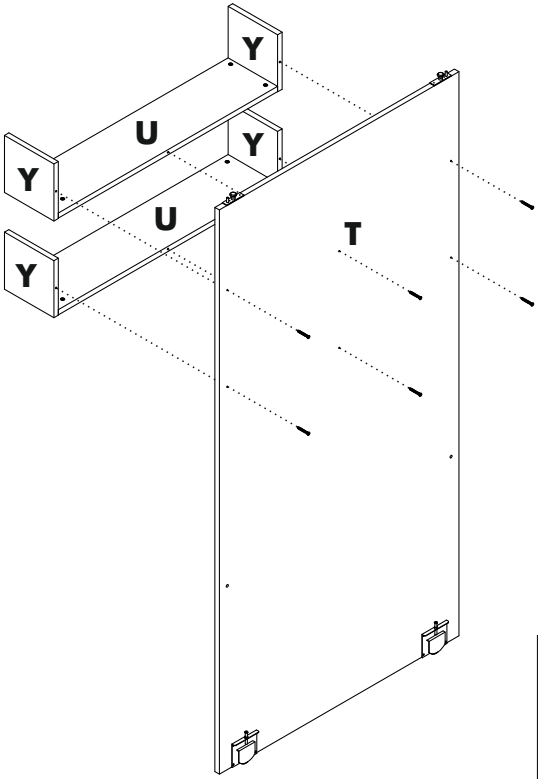
STEP 18



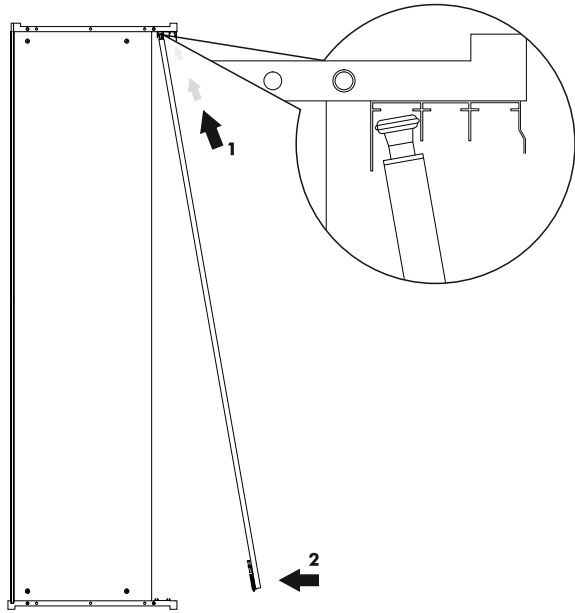
MNG - 01



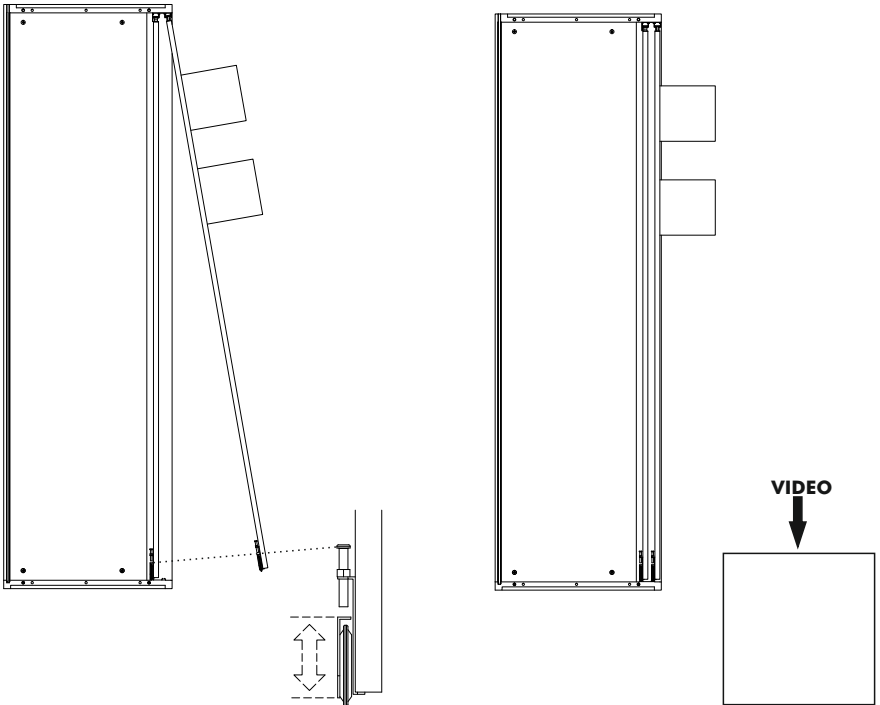
STEP 19



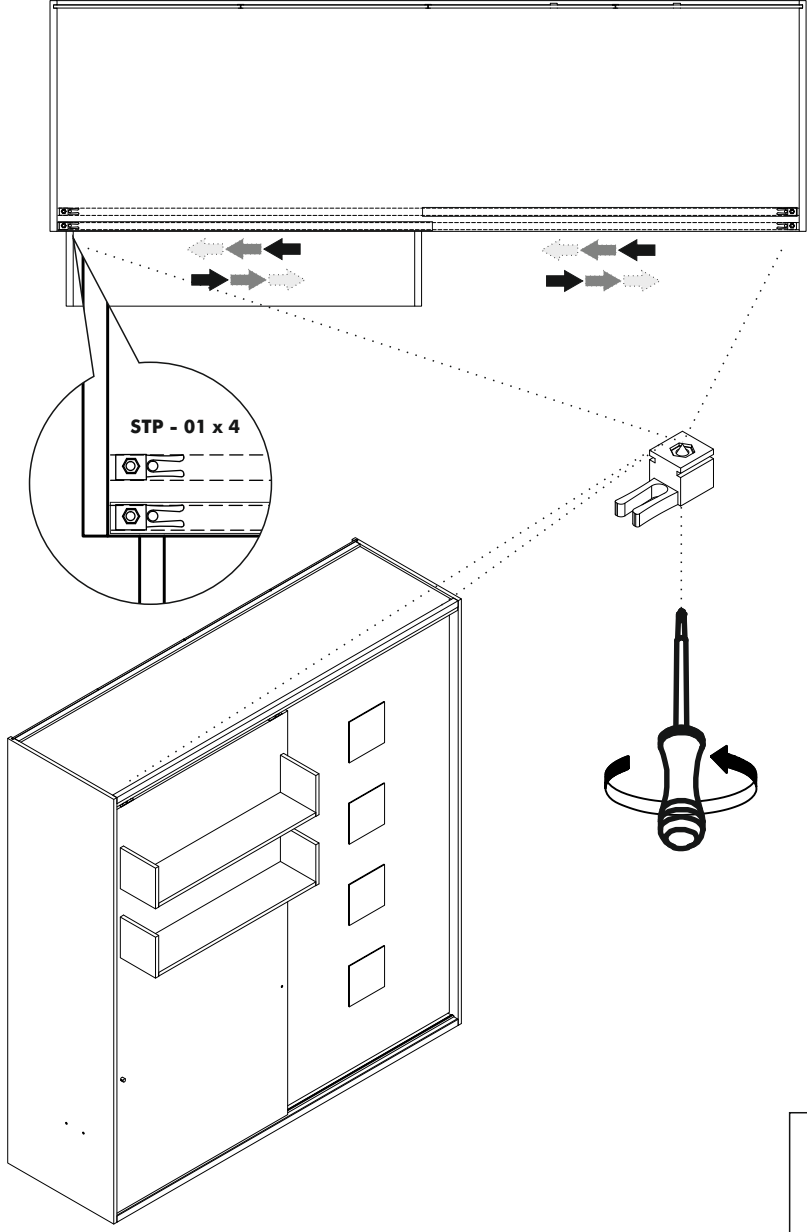
STEP 20



STEP 21



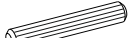
STEP 22



STEP 23



MNG - 01



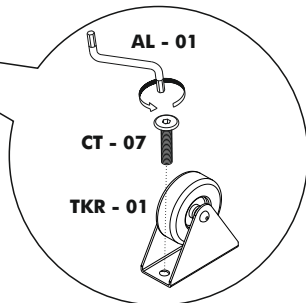
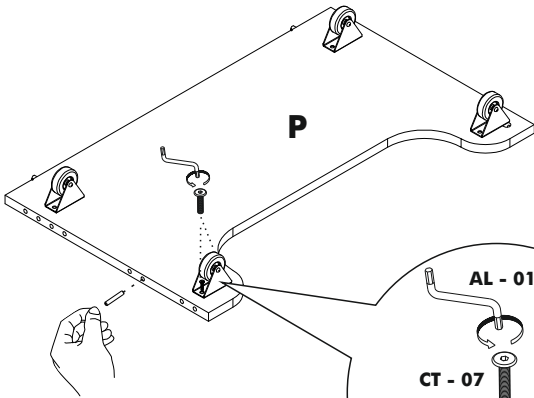
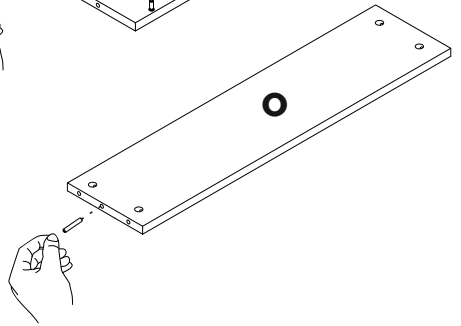
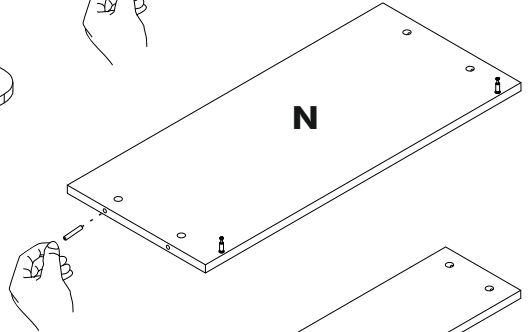
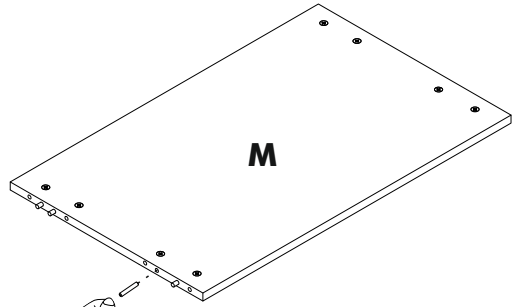
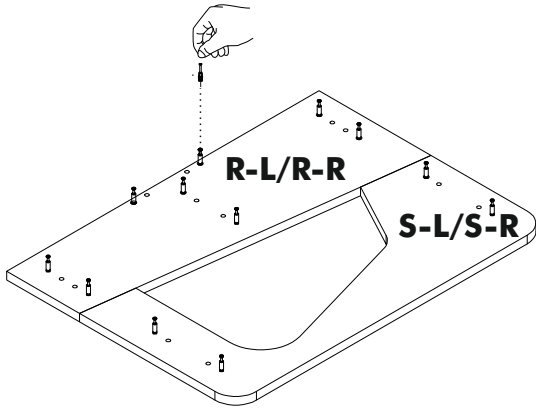
KVL 01



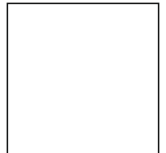
TKR - 01



CT - 07



VIDEO

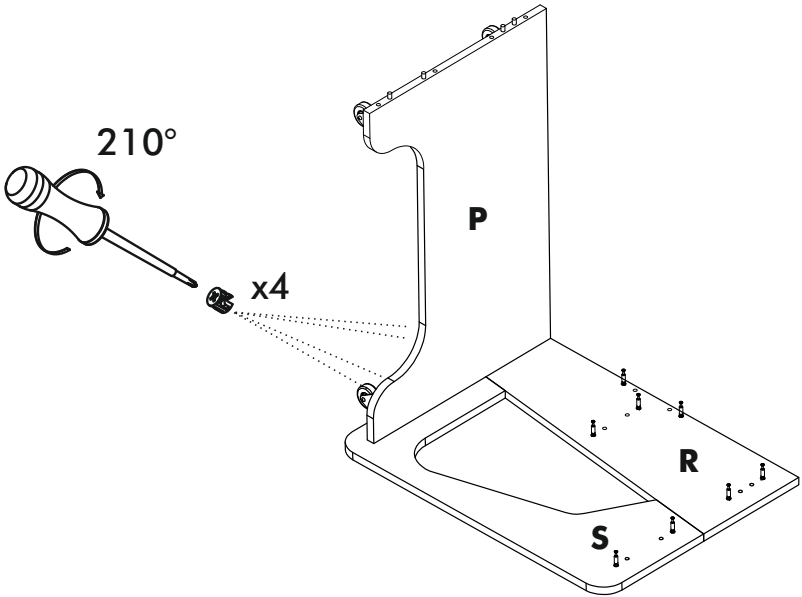


link

STEP 24



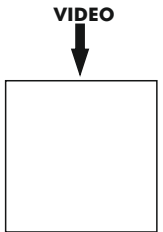
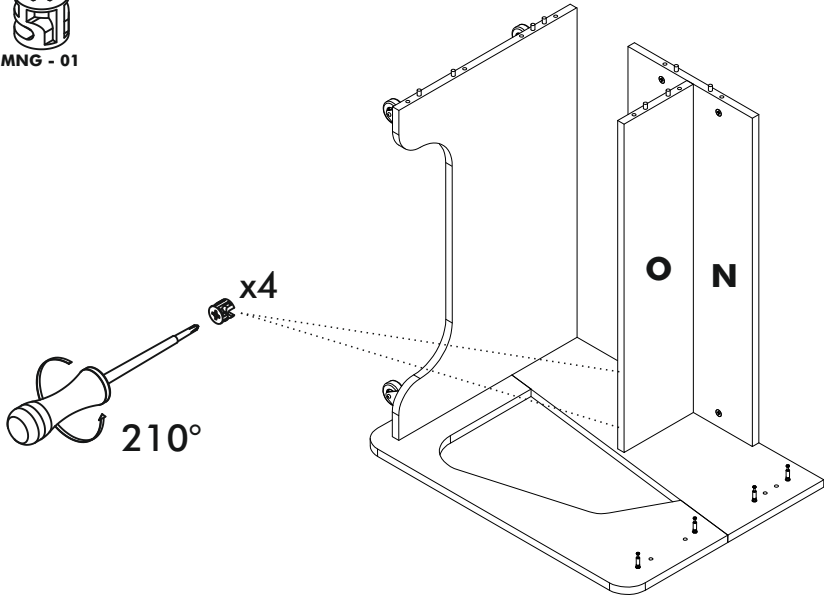
MNG - 01



STEP 25

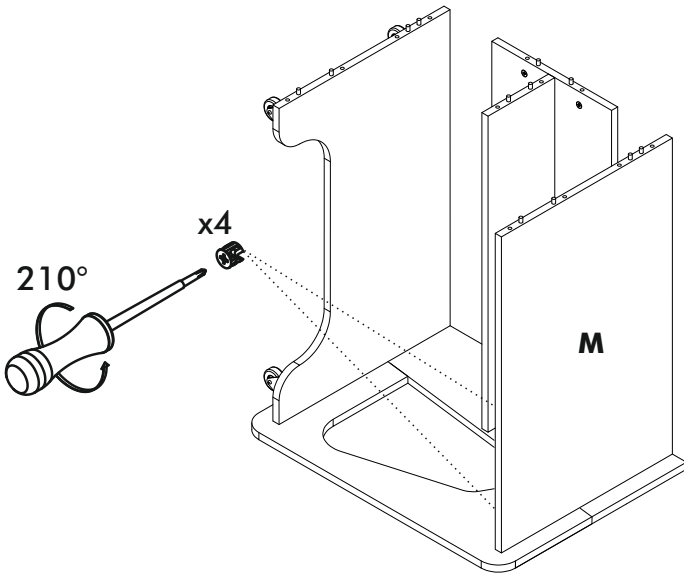


MNG - 01

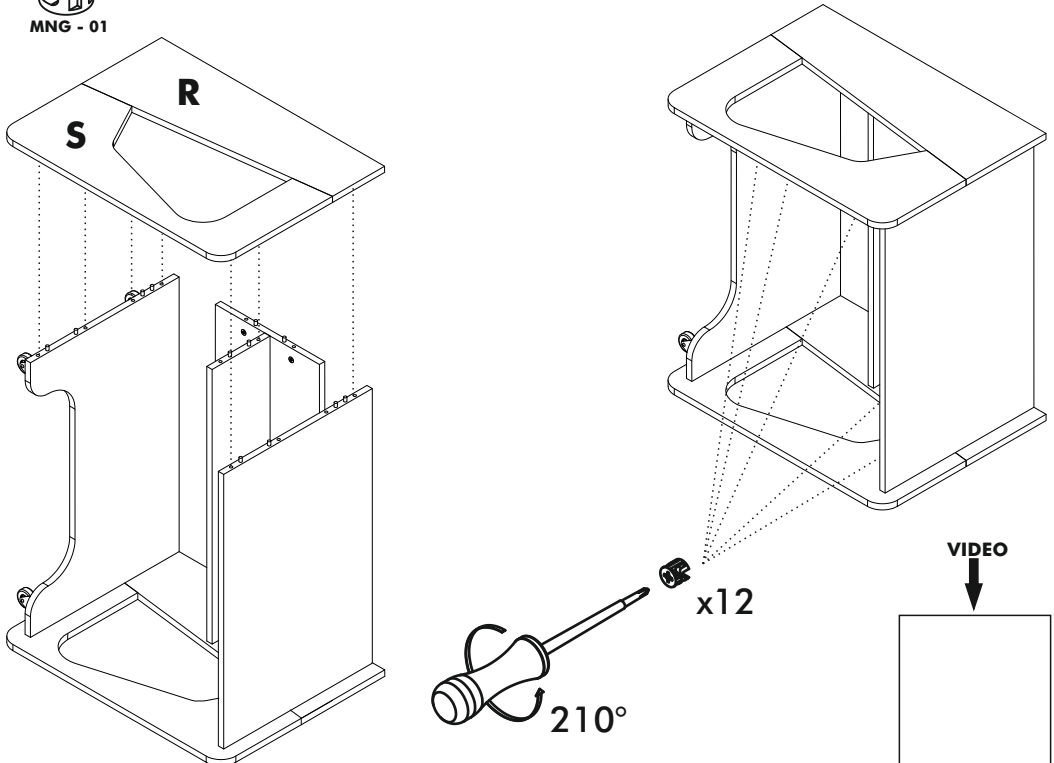


link

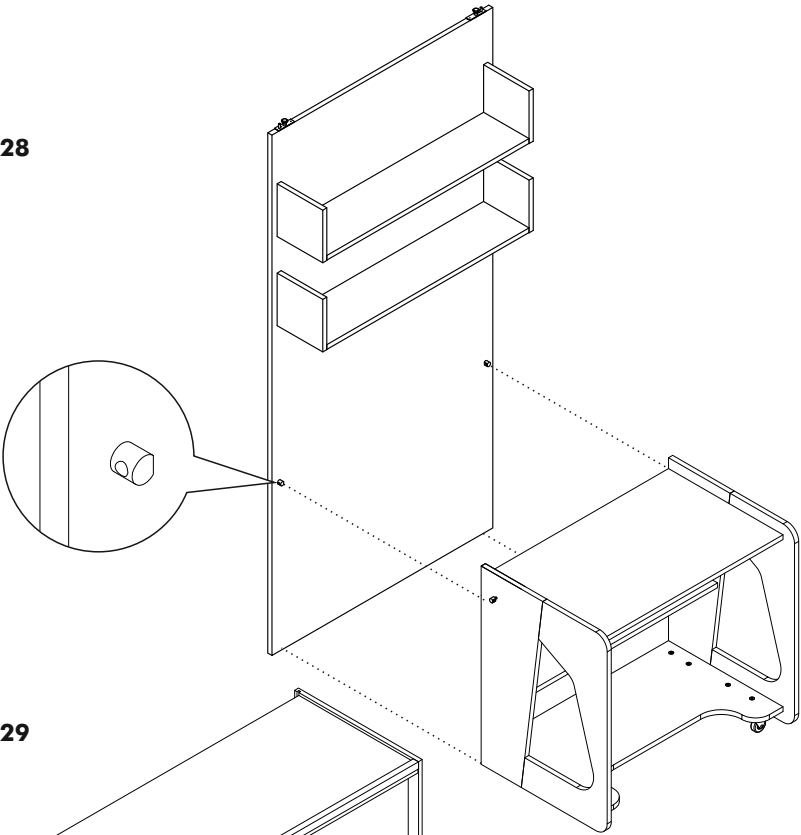
STEP 26



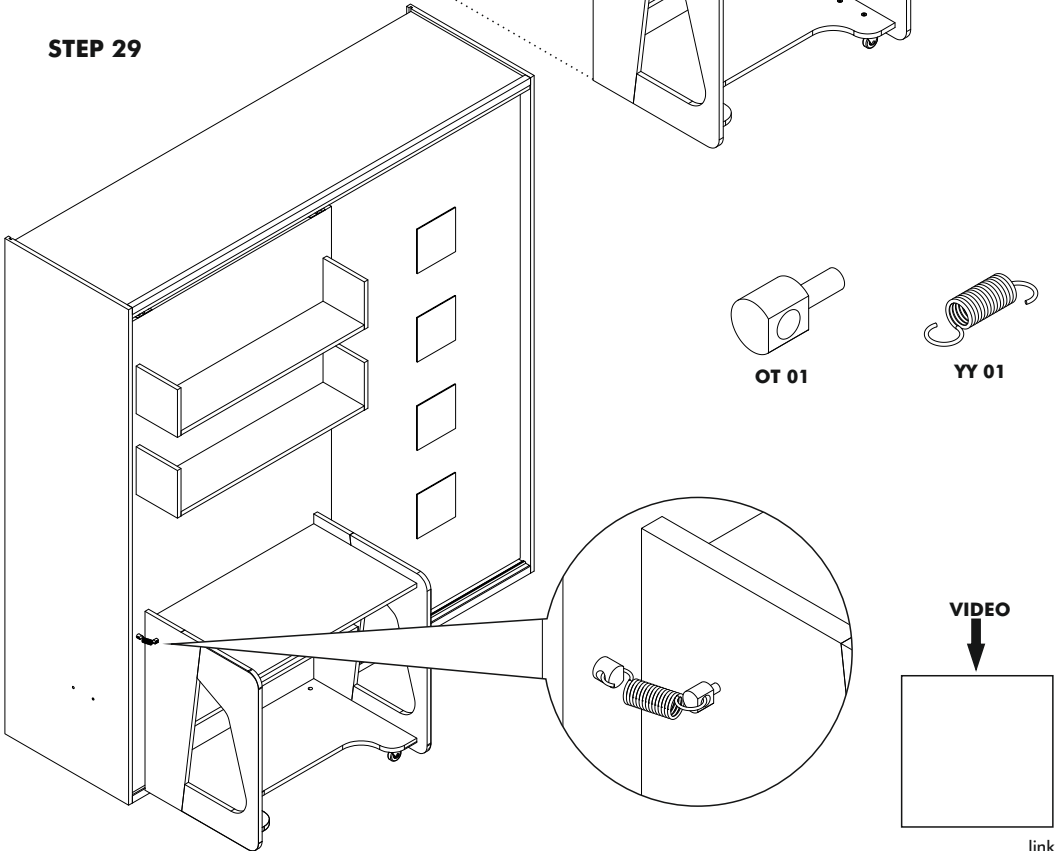
STEP 27



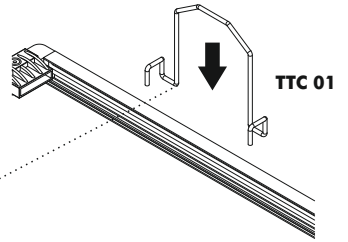
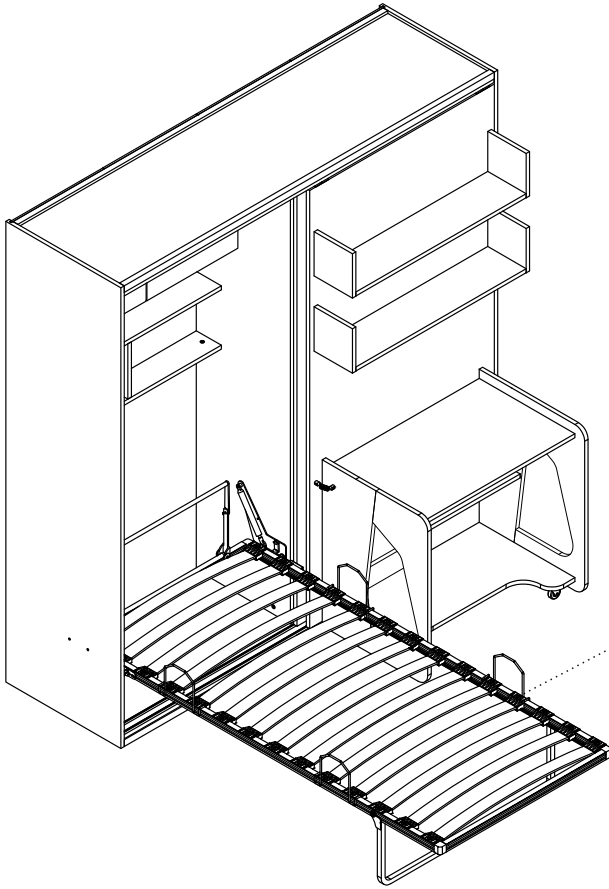
STEP 28



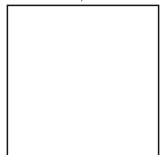
STEP 29



STEP 30



VIDEO



link

ATTENTION / HOW TO / READ ME / OWNER'S GUIDE

1. When mounting on a regular drywall, furniture must be fastened to wood or metal studs. Solid walls made of brick, concrete or similar strong material are also acceptable. Do not mount furniture to paper-mache or sheet rock like material without properly attaching to stud.

2. For safety and product longevity you must periodically inspect the mounting and mechanical connections for integrity and tightness. Confirm hardware remains properly affixed and connections snug.

3. Wall Bed mattress thickness may not exceed 8 inch. Take care to remove pillows and excess blankets before closing. Doing so keeps mechanism free of obstruction and unnecessary stress.

4. Do not lean or rest heavy objects on side or top of furniture. This may cause balance issues and compromise the integrity of your mounting connections.

5. Please use the furniture's beds, desks and shelving as intended. Not designed to be sat, stood, leaned, jumped (etc) on. Improper use may cause personal injury and damage to property.

6. With seasonal humidity change you must inspect interior and exterior of furniture.

7. Single, Twin, Twin XL beds accommodate the weight of one person. Improperly sleeping more than one person risks injury to person and damage to property.

8. Before any un-mounting or disassembly please contact Multimo for technical support and instruction. Failure to properly detach risks injury to person and damage to property.

9. For Bunk Beds:

a. Always use provided ladder when accessing top bunk.

b. Be slow, careful and aware of surroundings when opening top bunk.

c. Do not horseplay. Beds are to be slept on only.

d. Some have legs that fully extend when open- be aware of where the leg is and will be.



MULTiMO

www.multimo.com